



## B-AM-AT 2-3-4 jaws

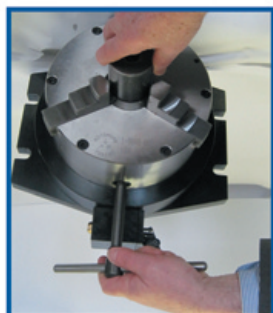
Pneumatic or hydraulic power base with AM-AT combined hand and power self-centering chuck

- **Sizes from**  
Ø 200 mm to Ø 400 mm
- **Universality of clamping**
- **Quickly clamping diameter changer**
- **Pneumatic or hydraulic cylinder control of the jaws**

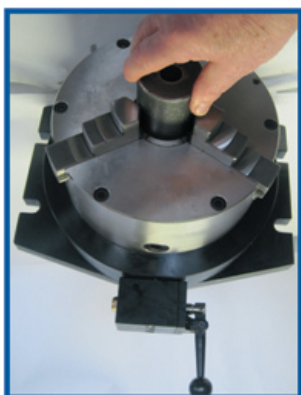




# B-AM-AT 2-3-4 jaws Pneumatic or hydraulic power base with AM-AT combined hand and power self-centering chuck



**Continuous manual jaw radial by adjusting key**



**Pneumatic or hydraulic cylinder power clamping. 3 mm power stroke for each jaw**

This type of base-plate, pneumatic or hydraulic control, is highly suited to vertical working on boring machines, drilling machines, machining center.

The base is equipped with AM-AT combined hand and power self-centering chuck.

Particularly used in small and medium productions for the universal clamping and for the rapidity, pneumatic or hydraulic control, in closing and opening of the jaws.

The bases are available with AM-AT 2-3-4 jaws.

### Equipment:

- built-in manual distributor
- 1 set of 3 hard & ground jaws for OD clamping
- 1 set of 3 hard & ground jaws for ID clamping
- 1 set of hard & ground base jaws including soft top jaws
- adjusting key.

### UNIVERSAL

It clamps any diameter work-piece, requiring only a simple turn of the key in one of the three pinions for quick, simultaneous and continuous radial adjusting of the jaws.

### RAPID

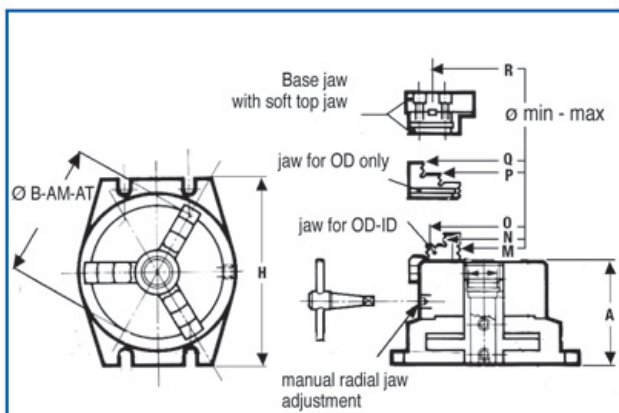
Pneumatic or hydraulic cylinder control of the jaws.

### PRECISE

Jaw radial location to within 0.03 mm.

### POWERFUL

Continuous working-time action of the rotating cylinder provides an exceptional clamping which firmly secures the work-piece.



AM-AT Ø	200	230	270	310	350	400
A	160	165	170	190	195	200
H	290	340	340	400	460	500
M	Ø 3÷100	5÷130	6÷160	8÷180	8÷220	8÷240
N	Ø 50÷150	50÷180	70÷220	70÷240	80÷300	90÷330
O	Ø 90÷190	110÷240	140÷300	150÷320	170÷390	180÷420
P	Ø 60÷160	80÷210	90÷250	90÷260	110÷330	130÷370
Q	Ø 110÷210	140÷270	170÷330	170÷340	190÷410	220÷460
R	Ø 80÷180	95÷210	110÷260	120÷300	130÷310	145÷340

Subject to technical changes

### ROTOMORS S.p.A.

Via San Paolo, 62 - 10095 Grugliasco - Torino (Italy)  
+39 011 78 57 57  
info@rotomors.com

### ROTOMORS FRANCE Sarl

7, Zone Artisanale Beptenoud Nord  
38460 Villemoirieu  
+33 4 74 18 25 22  
info@rotomors.fr

### ROTOMORS GmbH

Albert-Einstein-Str. 2  
70806 Kornwestheim  
+49 7154 816 04 60  
info@rotomors.de

